

easy

EASY INSTALLATION



USER INTERFACE



EXPANDABILITY



VERSATILITY



Make it **easy?** easy

EASY, the most user-friendly panel from Elentek. Easy control panel is self-programming by simply pressing a button. EASY creates a local wireless network to control and refine the parameters with your **smartphone or tablet**. Control and protect, just do it simply with EASY.



ESSENTIAL

Self-learning means no set-up required

COMPACT

Small size for specific needs

CONNECTIVITY

Private Wi-Fi to connect to your device

PLUG-IN VERSION

Simplifies installation even further

APPLICATIONS

PRESSURISATION

FILLING

EMPTYING

DRAINAGE

CONNECTIVITY

BUILT-IN WI-FI MODULE FOR APP/BROWSER

POWER SUPPLY PLUG

Plug for power supply of the motor and 2 control input connectors [EASY PLUG IN single phase version only]

TECHNICAL FEATURES

SELF-LEARNING FUNCTIONS

- LEDs on front of panel for signalling operating status and alarms
- Pushbuttons: AUTOMATIC, 0 with MANUAL function
- Self-learning of electrical motor data
- Dry running protection by: level probes/floats/pressure switches
- Up to 2 control inputs: level probes/floats/pressure switches
- Manual button operation (fixed or momentary)
- Predisposition for run capacitors for single-phase version (not included)

ADDITIONAL FUNCTIONS WITH WI-FI CONNECTION

- Interface language selection: Italian/English/French/German/Spanish
- Display of motor absorption, working hours and number of motor starts (resettable)
- Electronic control of minimum current (dry running)
- Automatic reset due to minimum current alarm with programmable times
- Selection of delay time for minimum/maximum current alarm activation at motor start
- Too many starts/hour setting and alarm
- Enabling of level alarm from probes

VERSIONS

- Power supply 1 phase 100-240Vac 50/60Hz (EASY-Mono)
- Power supply 3 phase 310-450Vac 50/60Hz (EASY-Tri/5.5)

CONTROLS

- Electronic control of maximum current
- Electronic control of minimum current (dry running)
- Failure or incorrect phase sequence control on power supply input

ALARMS

- Alarms reported: voltage status, levels, motor overload, minimum motor current and high board temperature
- General alarm output contacts

PROTECTIONS

- Auxiliary and motor protection fuses
- Box ABS, IP55

EASY PLUG IN VERSION

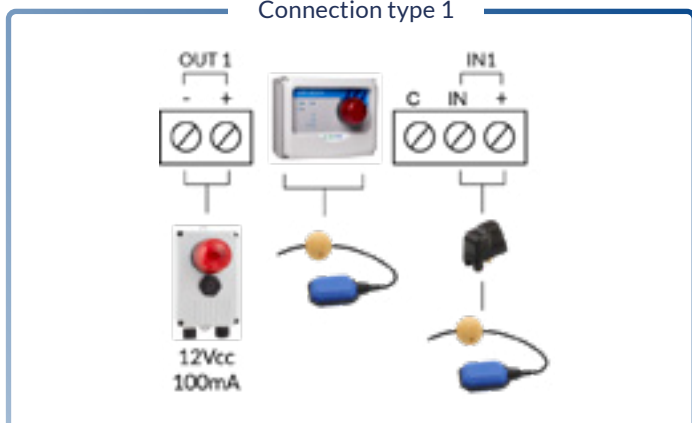
- Complete with: mains power plug, motor power socket and 2 control connectors (e.g. floats, pressure switch and/or probes)

MODELS AND CONNECTION DIAGRAMS

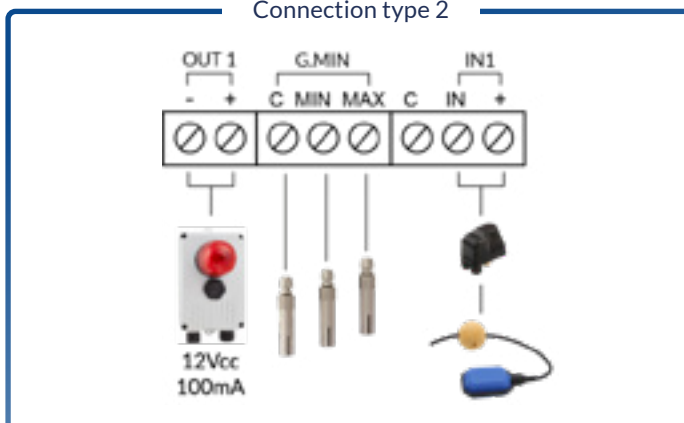


Code	Model	Voltage	Max power		Current		Box		Weight
			Kw	Hp	Range	Max	Mod.	Material	Kg.
01820P	EASY-Mono PLUG-IN	1~230 V	2,2	3	0-18 A	18 A	P1	Plastic	1
01820	EASY-Mono	1~230 V	2,2	3	0-18 A	18 A	P1	Plastic	0.8
01821	EASY-Tri/7,5	3~400 V	7,5	10	0-18 A	18 A	P1	Plastic	1
01822	EASY-Tri/11	3~400 V	11	15	0-25 A	25 A	P1	Plastic	1
01823	EASY-Tri/15	3~400 V	15	20	0-32 A	32 A	P1	Plastic	1

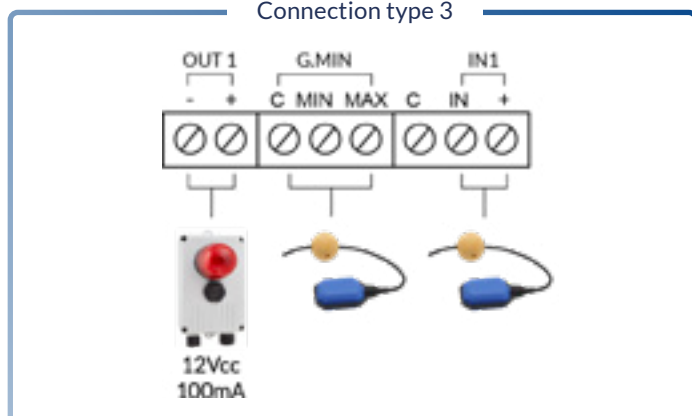
Connection type 1



Connection type 2



Connection type 3



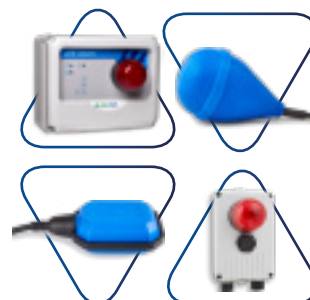
ACCESSORIES

Code	Model	Description
98007	K3SL	Kit of 3 level probes (electrodes)
99050	PM/5	Pressure switch 1-5 bar
99051	PM/12	Pressure switch 3-12 bar

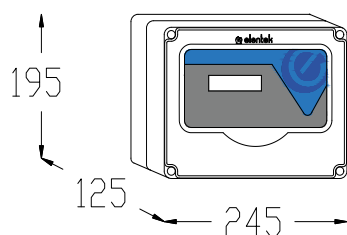


RELATED PRODUCTS

Code	Model	Description
99034	FLO 10	Float switch with neoprene cable length 10 m
99036	DROP 10	Variable float switch with neoprene cable length 10 m
99039	SHELL	Counterweight
01503	FLASH 12	Acoustic/visual alarm panel
01500	UNIT ALARM 1	Acoustic alarm panel with buffer battery
01501	UNIT ALARM 2	Acoustic/visual alarm panel with buffer battery
01502	UNIT ALARM GSM	Acoustic/visual alarm panel with buffer battery and GSM kit
pag. 54	MANIFOLD	Stainless steel manifolds



MODELS



P1

easy PLUG IN



The **EASY** electrical panel is also proposed in the version **PLUG IN**, to offer an even more equipped and ready-to-install solution. EASY PLUG IN comes complete with: mains power plug, motor power socket and 2 control connectors (e.g. floats, pressure switch and/or probes)

